

Flexmaster®

Seal-Ons 2000 Series



Sealed Branch Connectors

Flexmaster® Series 2000/2001

Seal-On Connectors, manufactured from 26 gauge, or heavier, galvanized steel. Meets ANSI/SMACNA Duct Construction Standards.

Standard Construction

26-gauge Galvanized Steel Body
26-gauge Galvanized Steel Damper
1" formed flange, with pressure sensitive polyethylene high density adhesive gasket, provides airtight connection.

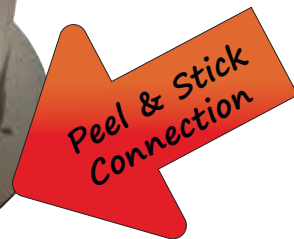
Available in sizes from 4" to 16"

Optional Construction

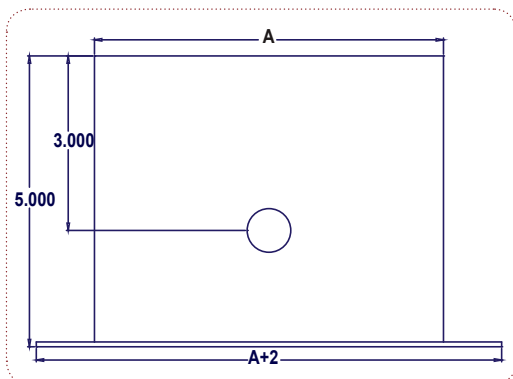
24 ga, 22 ga, or 20 ga, aluminum or stainless steel.



2000 Series - No Damper



2001 Series - With Damper



Calgary, AB	tel: 403-277-3115	fax: 403-276-1309
Delta, BC	tel: 604-940-6401	fax: 604-940-6402
Etobicoke, ON	tel: 416-679-0045	fax: 416-679-0051
Pointe Claire, PQ	tel: 514-697-3701	fax: 514-697-3767
Richmond Hill, ON	tel: 905-731-9411	fax: 905-731-7086

FLEXMASTER CANADA®

Email: sales@flexmaster.com
Website: www.flexmaster.com

